

HST BLOCK SWAP 2023

Your Hostesses: Teresa Locknane, Crystal Nielson, Sonia Miller, and Cathy Teske. Feel free to ask us any questions!

Block: 6 ½" Half Square triangles (HST)

Fabric Color Variants – Two Group options (choose one or sign up for both!)

Black /White and Bright = Black and white print on one side (should read as mostly black, not white) with a bright Solid or tone on tone print on the other.	Earthtones = Tans or beige on one side and an earth tone (gold, rust, greens, dark oranges/reds, blues, etc. ..) on the other.
---	---

You can use any shade or hue of the selected color, but it must read as that color (no other colors may be visible if using a print- so think more solid or tone on tone prints. NO novelty prints, batik, or hand-dyed fabrics please.

Materials

Only quilt shop quality fabric should be used -- no Walmart, Hobby Lobby, or Joann fabrics please. All fabrics should be pre-washed to help prevent colors bleeding.

Quantity -- Estimate around 50-60 squares which will approximate a 48"x48" without any extra fabric.

The amount you'll be making will be determined on how many people sign up. You will receive a block or set of blocks from each participant. Your blocks can all be the same, or you can use a variety of colors.

Timelines

2/14/2023: Introduction. School-house will be targeted to the Block Swap. Sign-up will be available.

3/28/2023: Last day to sign-up. Encourage your friends to participate! You'll find out how many blocks to make.

4/11/2023: All Day "Sewcial". A great opportunity to get all your blocks done in one day!

6/13/2023: Return completed blocks to your hostesses in a gallon Ziploc bag with your name on it. School-house demo will include a station with ideas for how to put your blocks together.

6/27 & 7/11/2023: Blocks will be distributed

10/24/2023: Show and Tell – bring in what you've done. Random prize drawing for those who bring a finished top (does not need to be quilted).

Make your blocks

Use any method to create your HST – see additional handouts. Make the squares big enough so you can trim them down to 6-1/2". Shorter stitch lengths recommended (2.0/12-14 psi). Press seams to the dark side.

Suggested tools

starch, rotating cutting mat, Thangles, square rulers, triangle rulers, Bloc Loc ruler, sharp rotary cutter

Receiving HST blocks

Make something with the blocks you received in any size, patterns, or techniques. You can make more blocks, add other block designs, add other fabrics, chop them up and sew them back together, etc... the possibilities are only limited by your imagination. The fun part is seeing all the creative ideas everyone comes up with! Work towards a completed pieced top by 10/24/2023 for show and tell and to be entered into a prize drawing.

Expectations

By signing up you are committing to making the specified number of blocks by 6/13/2023. You also are agreeing to use your very best sewing skills in making the blocks. The blocks must measure 6 ½" square when completed.

School-House notes:

HST BLOCK SWAP 2023

How much fabric do I need????

If you're doing all of your blocks the same...from yardage (40" wide useable)

40 blocks from 1 yard each background & pattern make (4)-8 at a time and (2)-4 at a time HST's

60 blocks from 1-1/4 yards each background & pattern make (6)-8 at a time and (3)-4 at a time HST's

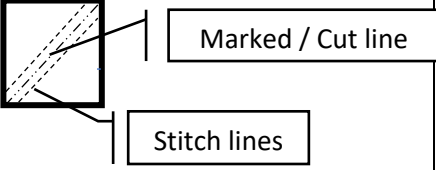
From fat quarters you'll be able to get (1)-8 at a time and (1)-4 at a time HST's

Scraps work to!

2)-at a time HST's TRIM to 6-1/2" Unfinished square. (6" will be the finished size)

2 at a time HST's (Half Square Triangles) Trim to 6-1/2 square"			
		Use this size if you prefer trimming	Use this size if you prefer to sew exact (just a little trimming)
	1	7-1/2" Background	7-3/8" Background
	1	7-1/2" Patterned	7-3/8" Patterned

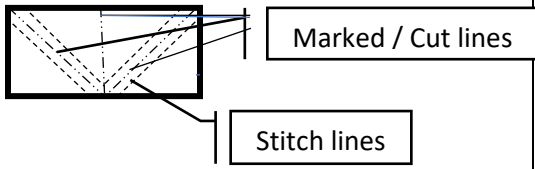
On (1)- background square, mark on the wrong side of fabric, draw a line from one corner to the opposite corner forming a diagonal drawn cross. Place a 1-Background square directly on top of a patterned square (Right sides together). Stitch 1/4" from the diagonal drawn lines across on the background square. Cut in (2)-pieces on the marked lines. above. Press seams to the darker fabric. Trim as needed 6-1/2" square.



4)-at a time HST's TRIM to 6-1/2" Unfinished square. (6" will be the finished size)

4)-at a time HST's TRIM to 6-1/2" Unfinished square. (6" will be the finished size)			
		Use this size if you prefer trimming	Use this size if you prefer to sew exact (just a little trimming)
	1	7-1/2" x 13-1/4" Background	7-3/8" x 13" Background
	1	7-1/2" x 13-1/4" Patterned	7-3/8" x 13" Patterned

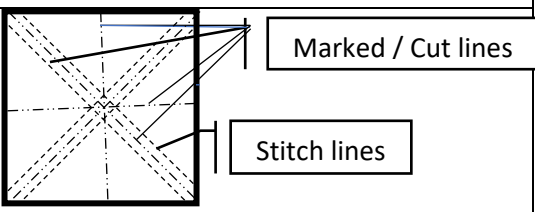
On (1)- background square, mark on the wrong side of fabric. Mark a vertical line through the center of the rectangle. Mark a line from one corner to the opposite corner forming a diagonal drawn cross. Place a 1-Background square directly on top of a patterned square (Right sides together). Stitch 1/4" from the diagonal drawn lines across on the background square. Cut in (2)-pieces on the marked lines. above. Press seams to the darker fabric. Trim as needed 6-1/2" square.



8)-at a time HST's TRIM to 6-1/2" Unfinished square. (6" will be the finished size)

8)-at a time HST's TRIM to 6-1/2" Unfinished square. (6" will be the finished size)			
		Use this size if you prefer trimming	Use this size if you prefer to sew exact (just a little trimming)
	1	14-1/4" Background	14" Background
	1	14-1/4" Patterned	14" Patterned

On (1)- background square, mark on the wrong side of fabric, draw a line from one corner to the opposite corner forming a diagonal drawn cross. Marke a vertical line and a horizontal line through the center of the square. Place a 1-Background square directly on top of a patterned square (Right sides together). Stitch 1/4" from the diagonal drawn lines across on the background square. Cut in (8)-pieces on the marked lines. above. Press seams to the darker fabric. Trim to 6-1/2" square.



HST BLOCK SWAP 2023

Size Chart Using ONLY 6" finished (6--1/2" unfinished HST's

TTL HST's	HST's Wide	HST's Long	Width inches	Length inches
36	6	6	36	36
42	6	7	36	42
49	7	7	42	42
56	7	8	42	48
64	8	8	48	48
72	8	9	48	54
81	9	9	54	54
90	9	10	54	60
100	10	10	60	60
121	11	11	66	66
132	11	12	66	72
143	11	13	66	78
154	11	14	66	84
165	11	15	66	90
176	11	16	66	96
144	12	12	72	72
156	12	13	72	78
168	12	14	72	84
180	12	15	72	90
192	12	16	72	96